

GREEN ENCOUNTER

RE-CONNECT THROUGH A 'BORDERLESS' ADVENTURE

In garden design, hedges typically serve as borders, marking divisions between spaces and providing privacy. However, during the Renaissance, hedge mazes added an element of intrigue, transforming barriers into playful attractions that encouraged exploration and encounters.

Green Encounter draws on this tradition by reimagining the "hedge maze" as a connector rather than a divider, facilitating a "borderless adventure" that invites interaction and connection. Here, hedges are not merely boundaries but become pathways for engagement, linking participants within the space.

The design features a raised mesh trellis that supports climbing plants, creating a lifted and subtly defined spatial experience. Strategically placed pocket spaces encourage various forms of encounter, while diverse openings along the pathways spark curiosity and provide glimpses of other participants. This layout encourages discovery and interaction with both visitors and the surrounding natural world.

Across the seasons, the maze's diverse plant life blooms and recedes, continuously reshaping the environment. This evolving vegetation, accompanied by insect and bird activity, establishes an urban ecosystem that immerses participants in a dynamic natural experience. The installation invites visitors to explore its layers as they change over time, merging urban life with nature and providing a shared habitat for people, animals, and plants. Through this design, Green Encounter enhances community connection and fosters a deep sense of immersion in nature, transforming the traditional notion of a hedge border into a space that unites.

Plant Box Type A

- Ipomoea purpurea
- Blossom: May - Oct

- Hedera helix
- Blossom: Jul - Nov

- Ficus pumila
- Fall: Jul - Nov

Plant Box Type B

- Parthenocissus tricuspidata
- Blossom: Mar - Jun

- Tropaeolum majus
- Blossom: Apr - Jul

- Epipremnum aureum
- Fall: Jul - Nov

Plant Box Type C

- Strongylodon macrobotrys
- Blossom: Mar - Jul

- Thunbergia alata
- Blossom: Jun - Nov

- Pelargonium peltatum
- Blossom: Apr - Sep

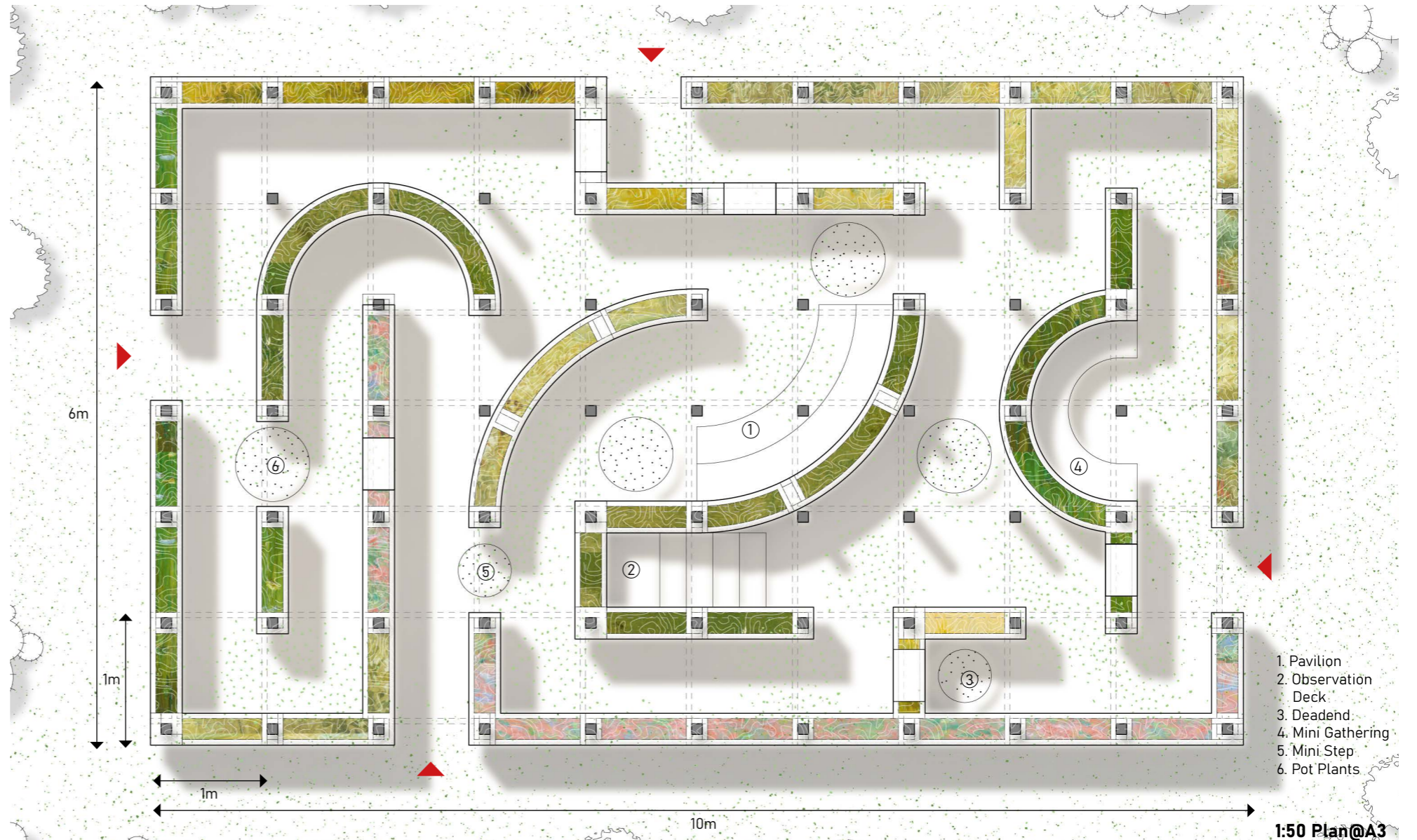
Plant Box Type D

- Ipomoea batatas
- Fall: Jul - Nov

- Parthenocissus quinquefolia
- Fall: Jul - Nov

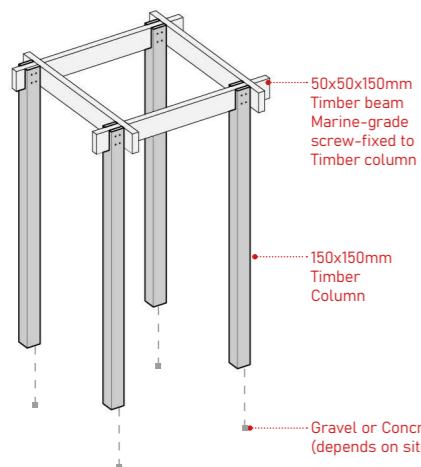
- Tropaeolum peregrinum
- Blossom: Jun - Oct

Plants

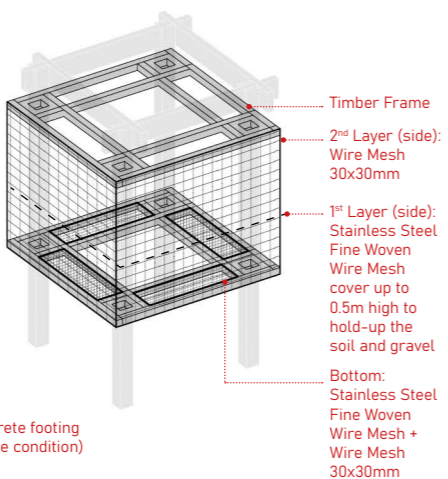


1:50 Plan@A3

Primary Structure



Secondary Structure



Axonometric Detail



1:50 Section@A3

