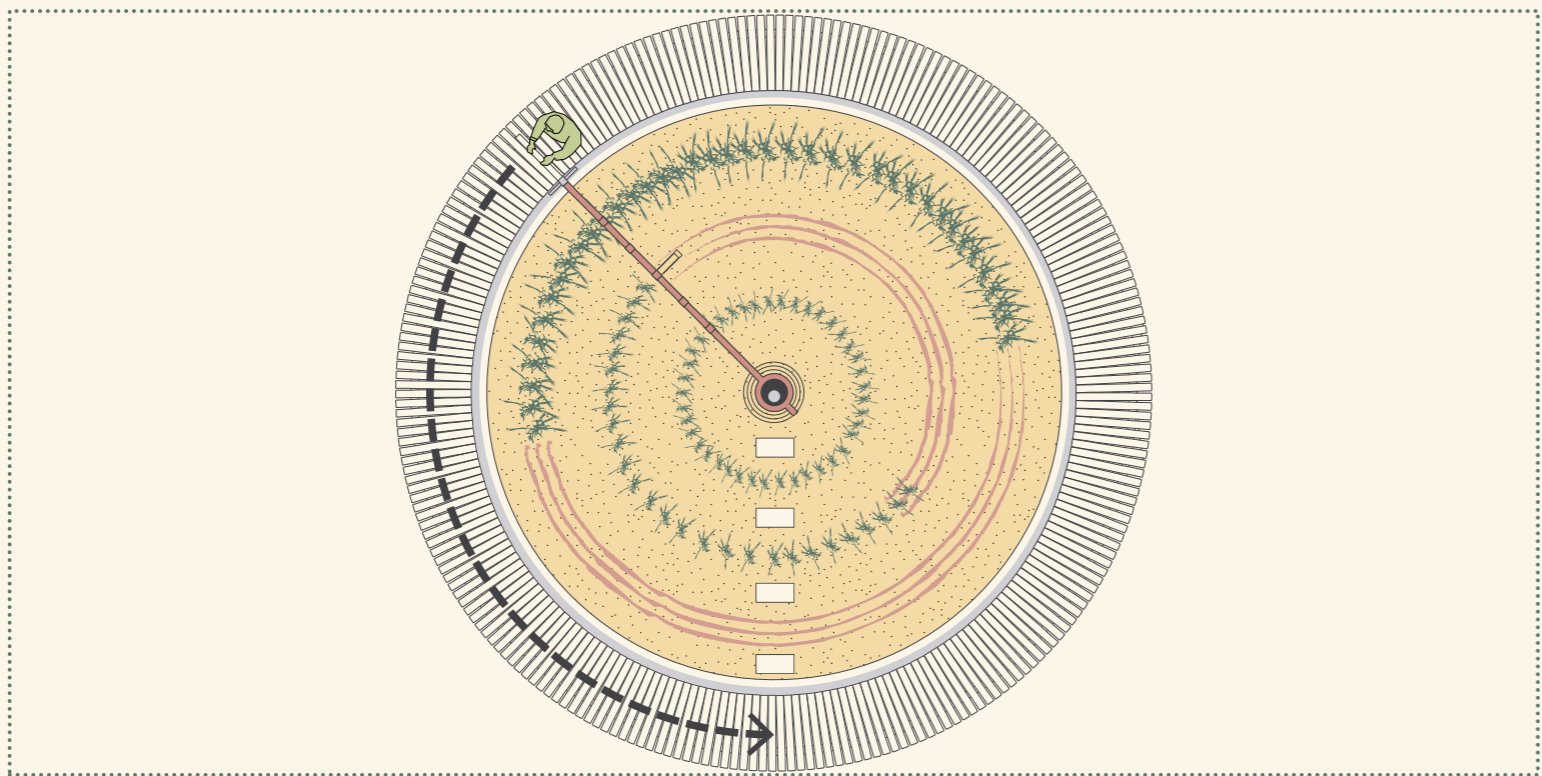




# THE SEED MACHINE / AN INTERACTIVE INSTALLATION



M 1:100

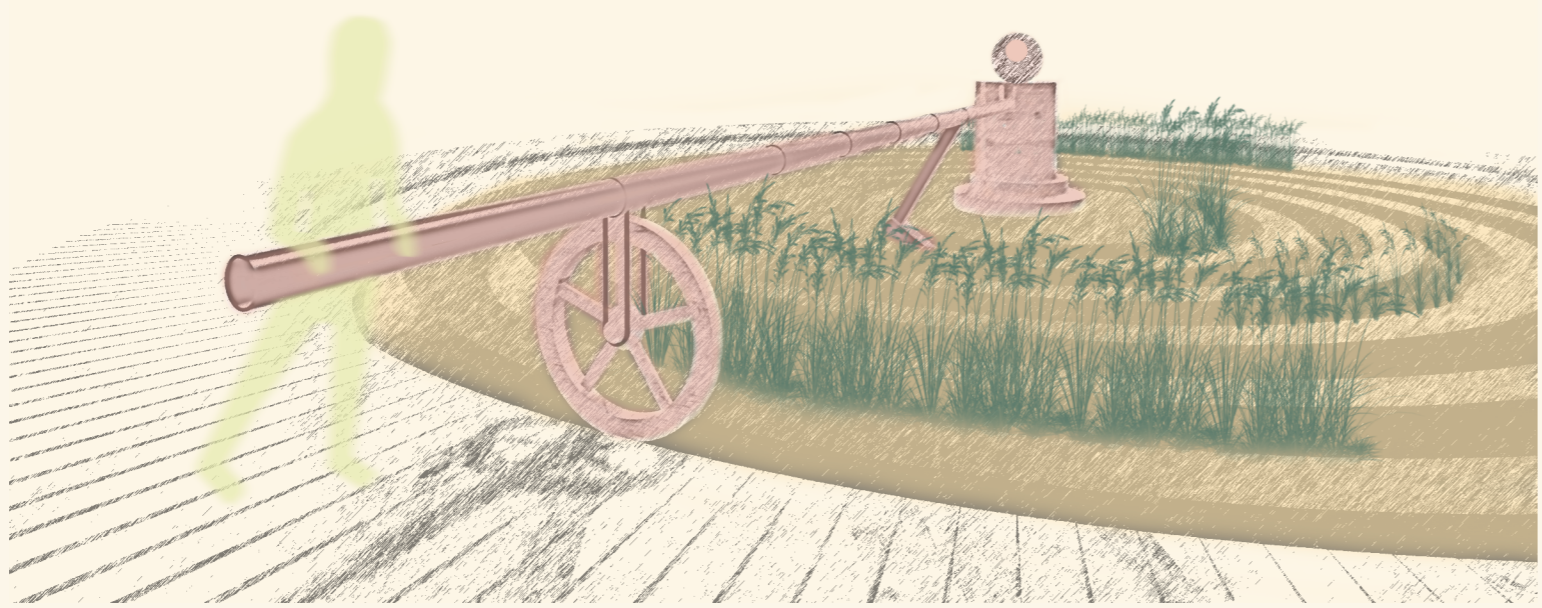
## Introduction

Throughout the world, ploughing was considered a sacred activity. This activity made the Earth fruitful. A plough opened the ground thus creating a furrow, a depression ready to receive seeds. Whilst the technology is different nowadays, the principle remains the same. The soil still has to be made ready to accommodate seeds. The process is a circular one, from seeds to growth, harvest and back to furrows. This process inspired our proposal. Appearance of the circular "field" will fluctuate in time. Normally, a continuous cover of plants will be interrupted by activity of visitors, who are invited to play for a moment the role of the ploughman. The visitor willing to participate will turn for a moment in a ploughman drawing out his furrows.



The soil shall be friable and contain humus to reduce resistance and be able to retain moisture, preferably without irrigation.

Seed shall be fast germinating. Like watercress, mustard, radish, rucola, barley or even marigolds.





# THE SEED MACHINE / AN INTERACTIVE INSTALLATION

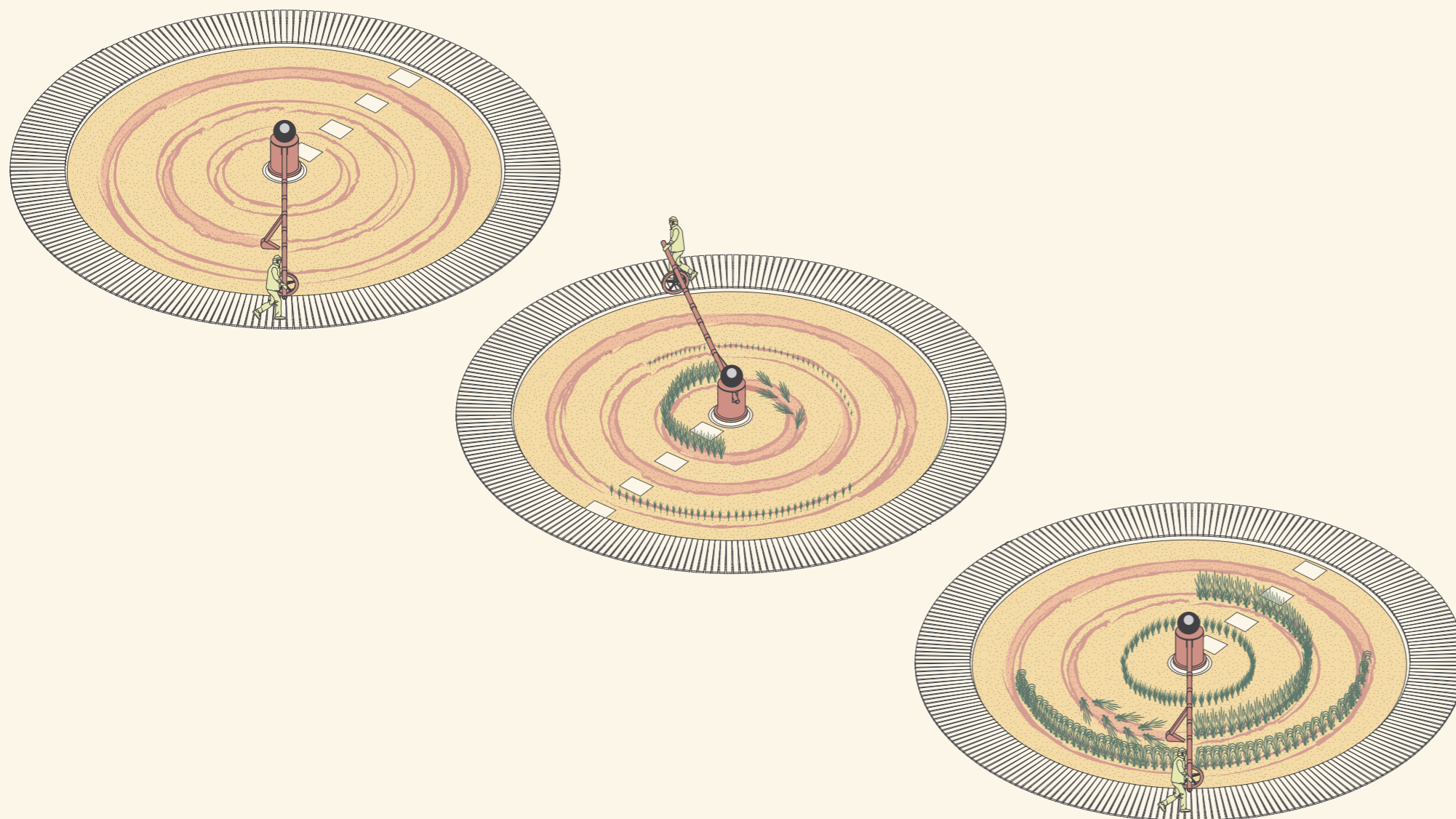


## Construction

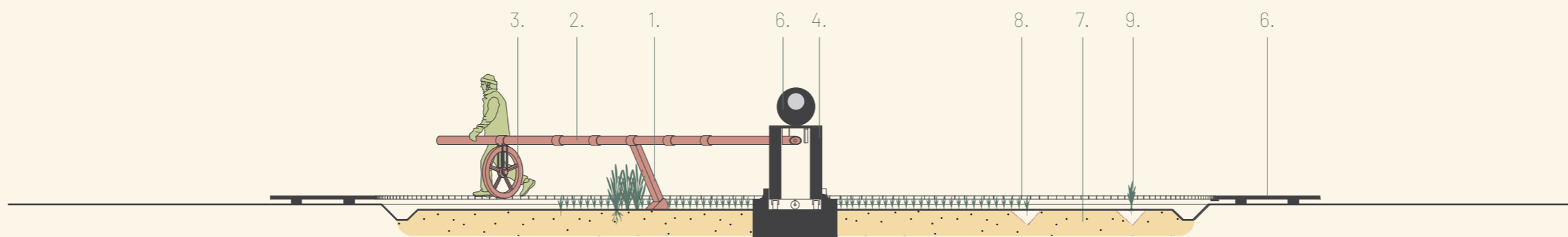
Quite deliberately we strived to avoid complicated construction techniques or unusual, hard to obtain materials. In our view any reasonably skilled carpenter will be able to put "The Seed Machine" together. The design has reasonable construction tolerances. Without being overtly rustic, the execution is straightforward and allows a great degree of freedom in its interpretation.

A turn able centre carries an arm with an adjustable and repositionable plough combined with a seed dispenser calibrated for seeds of varying size.

The plough is moved by visitors. Given certain resistance of the soil, we assume that the movement of the plough would be rather incremental and cover a relatively short distance. With changeable radii the surface would contain simultaneously sections of the fast growing plants, germinating plants and fresh furrows that may disturb already green cover. Whilst the seeds are distributed predominantly by dispenser, it is also possible to sow seeds manually, especially in vicinity of the boardwalk.



1. Adjustment Plough
2. Arm
3. Supporting wheel
4. Turnable axis
5. Circular boardwalk
6. Seed container
7. Cultivation field
8. Young crop, germinating plants
9. Advanced plants



A-A'

M 1:50

